

SPECIFICATIONS

Model 101 is a combination Phonograph and Radio Receiver. The phonograph section is designed to play 10 or 12 inch standard records (78 R. P. M.) and includes a manually operated crystal pickup and Turntable Motor.

The radio receiver employs an A. C. or D. C. operated superheterodyne circuit covering standard broadcast and police stations. (540 to 1720 K. C.)

POWER SUPPLY: Radio, 115 volts A. C. or D. C. Phonograph, 115 volts — 60 cycles **only**.

POWER CONSUMPTION: 57 watts.

INTERMEDIATE FREQUENCY: 470 K. C.

PHILCO TUBES USED: Five tubes; 1-7A8, first detector oscillator; 1-7B7, I. F. amplifier; 1-7C6, 2nd detector, A. V. C., first audio; 1-35A5, audio output, and 1-35Z3, rectifier.

ALIGNMENT OF COMPENSATORS

EQUIPMENT REQUIRED:

1. Signal Generator; Philco Model 077 Signal Generator, which has a fundamental frequency range from 115 to 36,000 K. C., is the correct instrument for this purpose.

2. Output Meter; Philco Model 027 Vacuum Tube Voltmeter and Circuit Tester incorporates a sensitive output meter and is recommended.

3. Philco Fiber Handle Screw Driver, Part No. 27-7059, and Fiber Wrench, Part No. 3164.

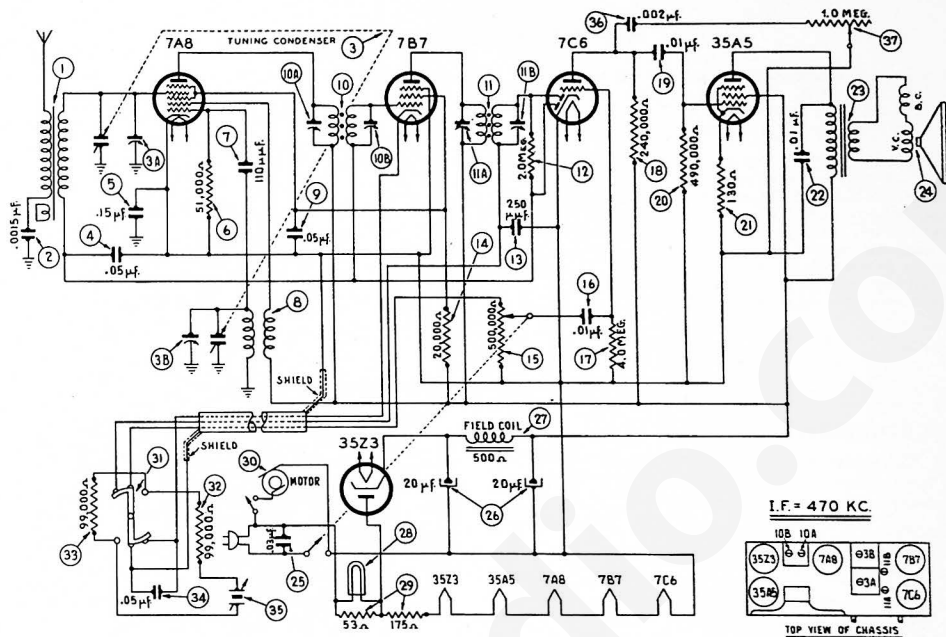
PROCEDURE

Opera- tions In Order	SIGNAL GENERATOR				RECEIVER		SPECIAL INSTRUCTIONS
	Output Connections to Receiver	Dummy Antenna Note A	Dial Setting	Dial Setting	Control Settings	Adjust Compensators	
1	Ant. Section of Gang	.004 mfd.	470 K. C.	540 K. C.	Vol. Max. Tone Treble	11A, 11B, 10A, 10B and 11E	Adjust for max. output
2	Ant.	100 mmfd.	1500 K. C.	1500 K. C.	Vol. Max. Tone Treble	3B, 3A	Adjust for max. output

REPLACEMENT PARTS

Sche. No.	Description	Part No.	Sche. No.	Description	Part No.
1	Ant. Trans.	32-3151	16	Tubular Cond. (.01 mfd., 200 V.)	30-4479
2	Tubular Cond. (.0015 mfd., 200 V.)	30-4555	17	Resistor (4.0 megohms, ½ watt)	33-540339
3	Tuning Cond.	31-2354	18	Resistor (240,000 ohms, ½ watt)	33-424339
4	Tubular Cond. (.05 mfd., 400 V.)	30-4519	19	Tubular Cond. (.01 mfd., 400 V.)	30-4572
5	Tubular Cond. (.15 mfd., 400 V.)	30-4505	20	Resistor (490,000 ohms, ½ watt)	33-449339
6	Resistor (51,000 ohms, ½ watt)	33-351339	21	Resistor (130 ohms, ½ watt)	33-113339
7	Mica Cond. (110 mmfd.)	30-1031	22	Tubular Cond. (.01 mfd., 400 V.)	30-4572
8	Osc. Trans.	32-3152	23	Output Trans. (for speaker 36-1469-1)	32-8047
9	Tubular Cond. (.05 mfd., 400 V.)	30-4519		Output Trans. (for speaker 36-1469-9)	32-8044
10	1st I. F. Trans.	32-3149	24	Speaker	36-1469
11	2nd I. F. Trans.	32-3150	25	Tubular Cond. (.03 mfd., 400 V.)	30-4449
12	Resistor (2.0 megohms, ½ watt)	33-520339	26	Electrolytic Cond. (20-20 mfd., 150 V.)	30-2382
13	Mica Cond. (250 mmfd.)	30-1032	27	Field Coil (Replace Speaker 36-1469)	
14	Resistor (20,000 ohms, ½ watt)	33-320339	28	Pilot Lamp	34-2068
15	Volume Control (500,000 ohms)	33-5306	29	Line Resistor	33-3367

(Continued on Page 74)



REPLACEMENT PARTS

(Continued from Page 73)

Sche. No.	Description	Part No.	Sche. No.	Description	Part No.
30	Phono Motor	35-1158	35	Crystal Pickup	415-1027
31	Radio Phono Switch	42-1500		Tone Arm and Crystal Pickup complete	35-2026
32	Resistor (99,000 ohms, ½ watt)	33-399339	36	Tubular Cond. (.002 mfd., 400 V.)	30-4579
33	Resistor (99,000 ohms, ½ watt)	33-399339	37	Tone Control	33-5320
34	Tubular Cond. (.05 mfd., 400 V.)	30-4519	38	Motor Switch	42-1498

MISCELLANEOUS PARTS

Acetate Window	27-5472	Knob Assy. (Volume and Tuning)	27-4809
Antenna Cable	L-3185	Knob (Tone Control)	27-4827
Cabinet	10383-A	Knob (Phono Switch)	27-4828
Clip (Coil Mtg.)	28-5002	Pointer	56-1326
Coupling (Rubber, Motor Turntable Shaft)	315-1002	Power Cord	L-3199
Coupling (Metal, Motor Turntable Shaft)	315-1003	Rubber Washer (Motor Mtg., top)	3915
Dial	27-5481	Rubber Washer (Motor Mtg., bottom)	27-4818
Drive Shaft Assy.	31-2355	Needle Screw	218-1047
Drive Cord Assy.	31-2358	Spring (Drive Cord Assy.)	28-8751
Drive Drum	28-6662	Snap Fastener (Dial Mtg.)	56-1387
Gasket (Window and Grille Mtg.)	27-9330	Sockets (Tubes)	27-6130
Grille Cloth	44-1287	Sleeve (Motor Mtg.)	28-2258
		Turntable	315-1000